

How can I connect photocells to my AMB i.t. decoder?

The AMB i.t. decoder is equipped with an auxiliary port (15 pin sub D-connector). The auxiliary port has 3 inputs, photo cell 1, photo cell 2, sync pulse and a control port for a GPS receiver. All inputs can be triggered by a 5 VDC (5-15 mA) pulse. Figure 1a and scheme 1b both explain the connection setup.

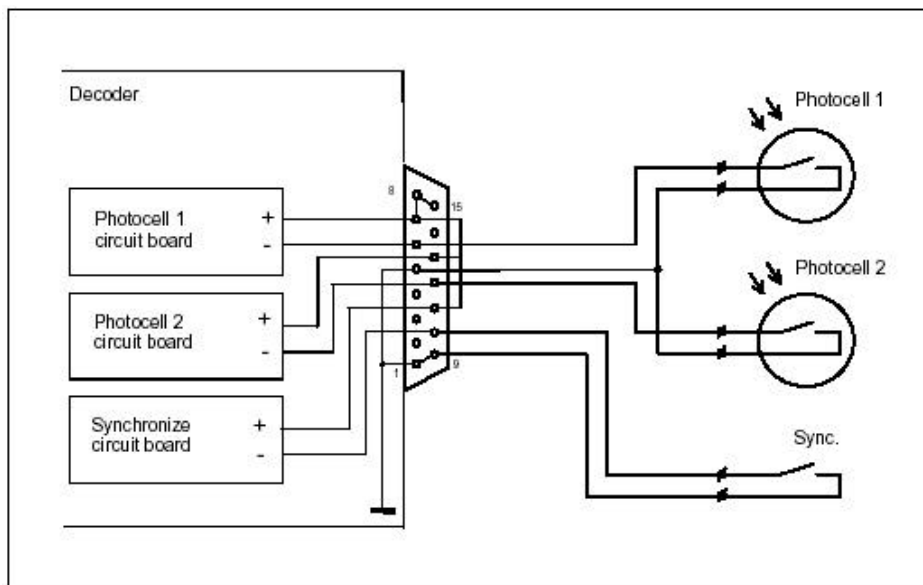
To use a photocell, connect it using the AMB photocell cable (article no. 5503 and 5504) or make an appropriate cable using the figure 1a and scheme 1b below.

Photo cell installation

Two types of photocells are available, passive and active photocells. They both operate as a switch; to connect the passive photocells please follow the connection setup in figure 1a and scheme 1b. Active photocell can be connected directly to the photocell/sync – and + input pins.

	Pin	Signal	Connection Setup
Power supply	8+15	5V/ 500mA	
	14	12V	
Photo Cell 1	5	Ground	
	6	Photo Cell 1 - input	- Connect pin 7 to pin 8 + 15
	7	Photo Cell 1 + input	- Connect pin 6 to pin 5
Photo Cell 2	5	Ground	
	12	Photo Cell 2 - input	- Connect pin 13 to pin 8 + 15
	13	Photo Cell 2 + input	- Connect pin 12 to pin 5
Sync Pulses	1+9	Ground	
	10	Sync - input	- Connect pin 11 to pin 8 + 15
	11	Sync + input	- Connect pin 10 to pin 1+ 9
GPS control	1+9	Ground	
	2	Receive data	
	3	Transmit data	
	4	Pulse per second	
	14	12V power supply	

Figure 1a: Connecting photocells, connection setup



Scheme 1b : Connecting photocells